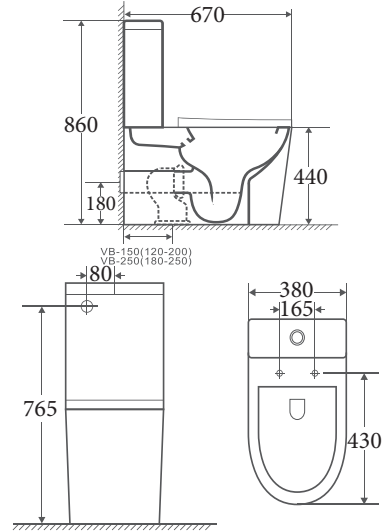




Product Dimension



Dimension: 670 x 380 x 860mm

Specifications

Model No: VP-T2G

Description: Wall-faced - sits flat against wall

Features:

- Highest Quality Vitreous China
- Tornado XL flushing technology
- Ergonomic seat-height design
- Special glazing surface
- Easy-release slim Duraplas seat
- Unique trap design - 100% clean water

Installation:

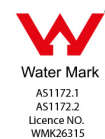
VB150: 120-180mm

VB250: 180-250mm (Optional)

- P-Trap: 180mm Roughing-in
 - S-Trap: 120-250mm Roughing-in
- Prefixed with Geberit flushing system

Water Consumption:

WELS 4 Star
4.5L/Full, 3L/Half



RUBINE Vera toilet is taking two things that already exist and put them together in a new way - the Tornado XL flushing. An unique rim design & flushing system that enables a good transportation of wastes with minimum water consumption and replaced 100% of trapped water every cycle. In addition, the porcelain is fired at a high temperature of 1240°C to ensure its hardness and applied a special glazing formula to protect the WC surface from scratches and it is easy to maintain too.

All Rubine toilets are prefixed with Geberit system & top-graded Duraplas seat cover - Indulge yourself in aqua lifestyle today.

Retail Price

VP-T2G \$649

RUBINE S.R.L Via Ponchielli 26, 10024 Moncalieri Torino/ITALY
www.rubine.com.au



Distributed by: Unicasa Pty Ltd
Toll Free: 1800 699 888 Email: info@unicasa.com.au