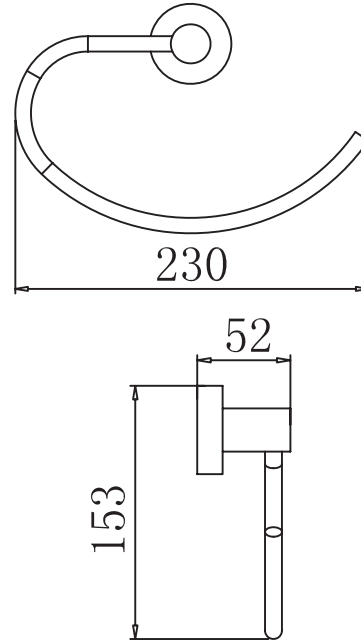




Product Dimension



Dimension (mm)	
Height	153
Length	230
Width	52

Specifications

- Model no: GE-5209
- Rust-proof
- Concealed screw mounting
- Easy installation

GLOBE series displays traditional design and premium functionality. Fine details like concealed screws and electroplated surface perfect the finishing touch for a contemporary bathroom. Made of metal alloy which is of high resistance to corrosion. Available in Matt Chrome and Matt Black colours.

Solid, rounded aesthetic to suit any bathroom designs.

Retail Price

GE-5209-MC \$33

GE-5209-MB \$33

