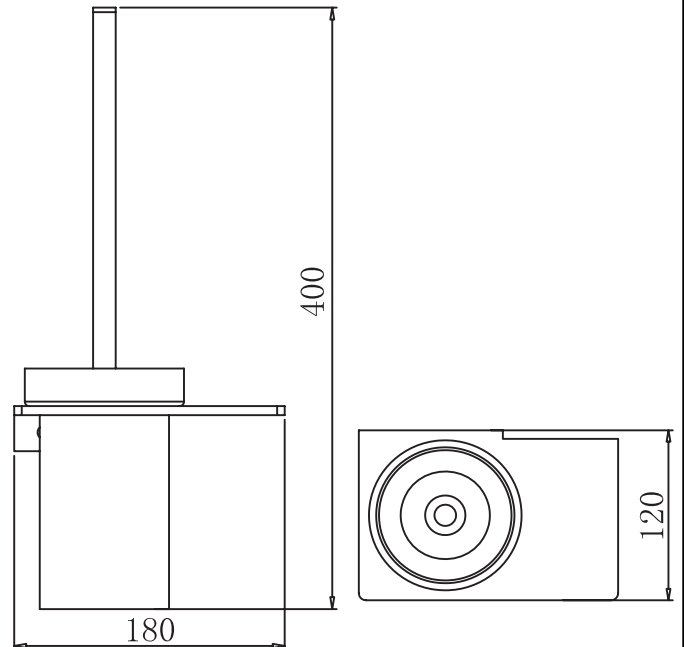




Product Dimension



Dimension (mm)	
Height	400
Length	180
Width	120

Specifications

- Model no: FT-6511
- Rust-proof
- Easy installation
- Mounting bracket and screw

FLAT series offers a stylish flat design with smooth, clean lines for your voguish bathroom. Easy installation with mounting bracket and screws. Made out of metal alloy which is of high resistance to corrosion. Electroplated matt finishing for a modern look. Available in Forest Grey and Matt Black colours.

Wide and flat surface with beautiful design to match any modern trends.

Retail Price

FT-6511-FG \$56

FT-6511-MB \$56

